

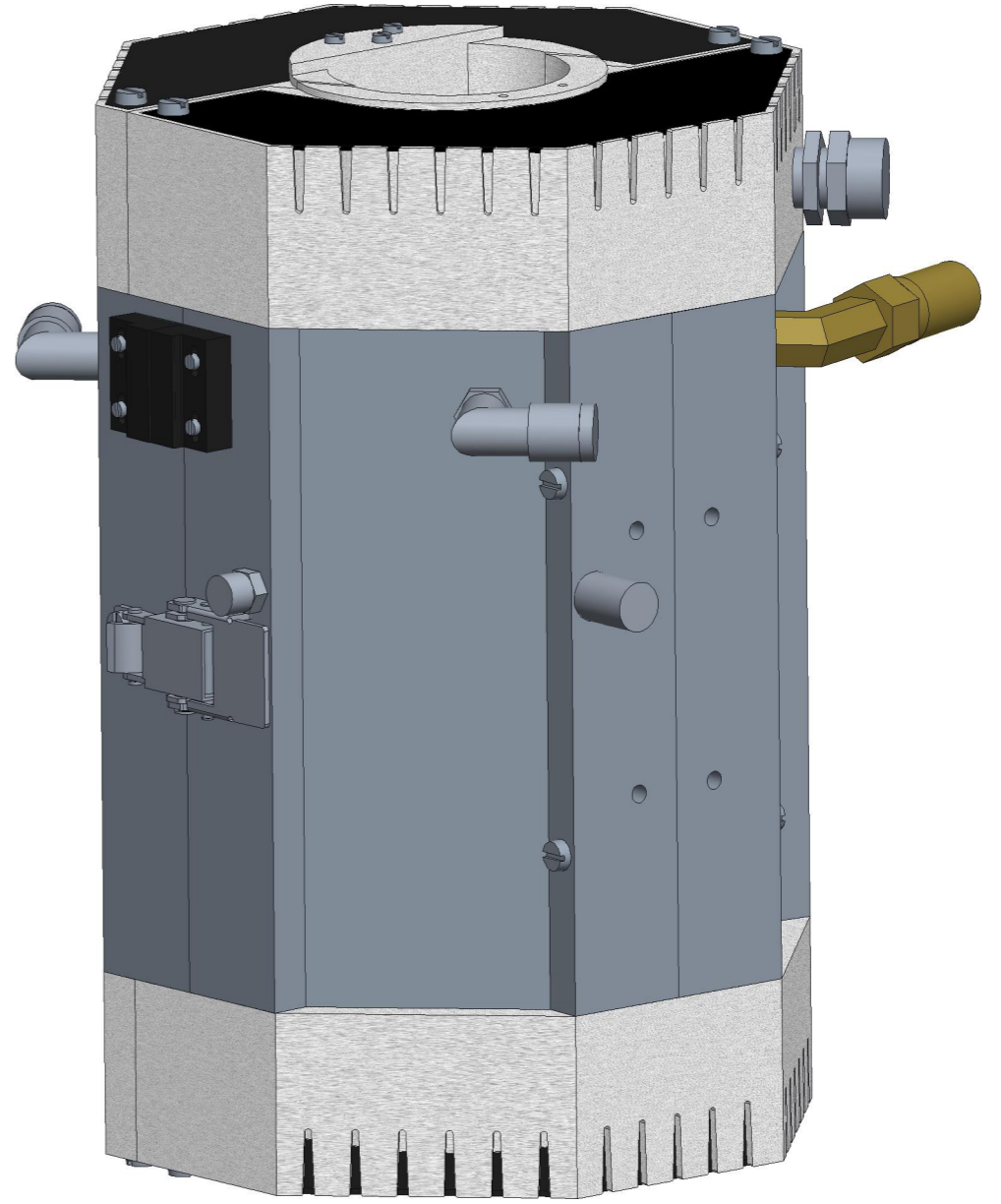
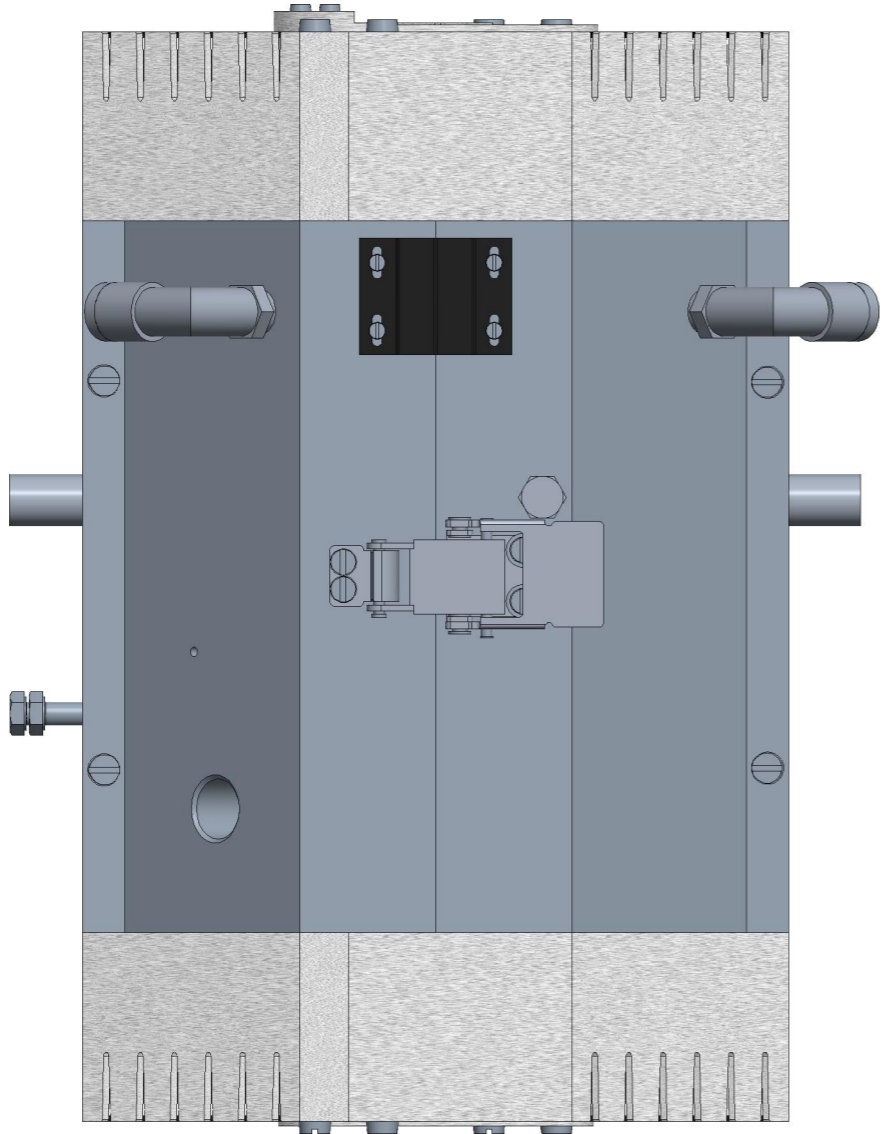
A B C D E F G H J K

A
FIRST ISSUE


PRICE REFERENCE TO B.S. 8888 THIRD ANGLE PROJECTION
 TOLERANCES UNLESS OTHERWISE STATED TO BS EN22768 m/k

No part of this drawing may be reproduced, stored in a retrieval system or transmitted by electronic or other means except with the prior written
 permission of Diamond Light Source Ltd. No part of this drawing may be used for any purpose other than that for which it was supplied for.

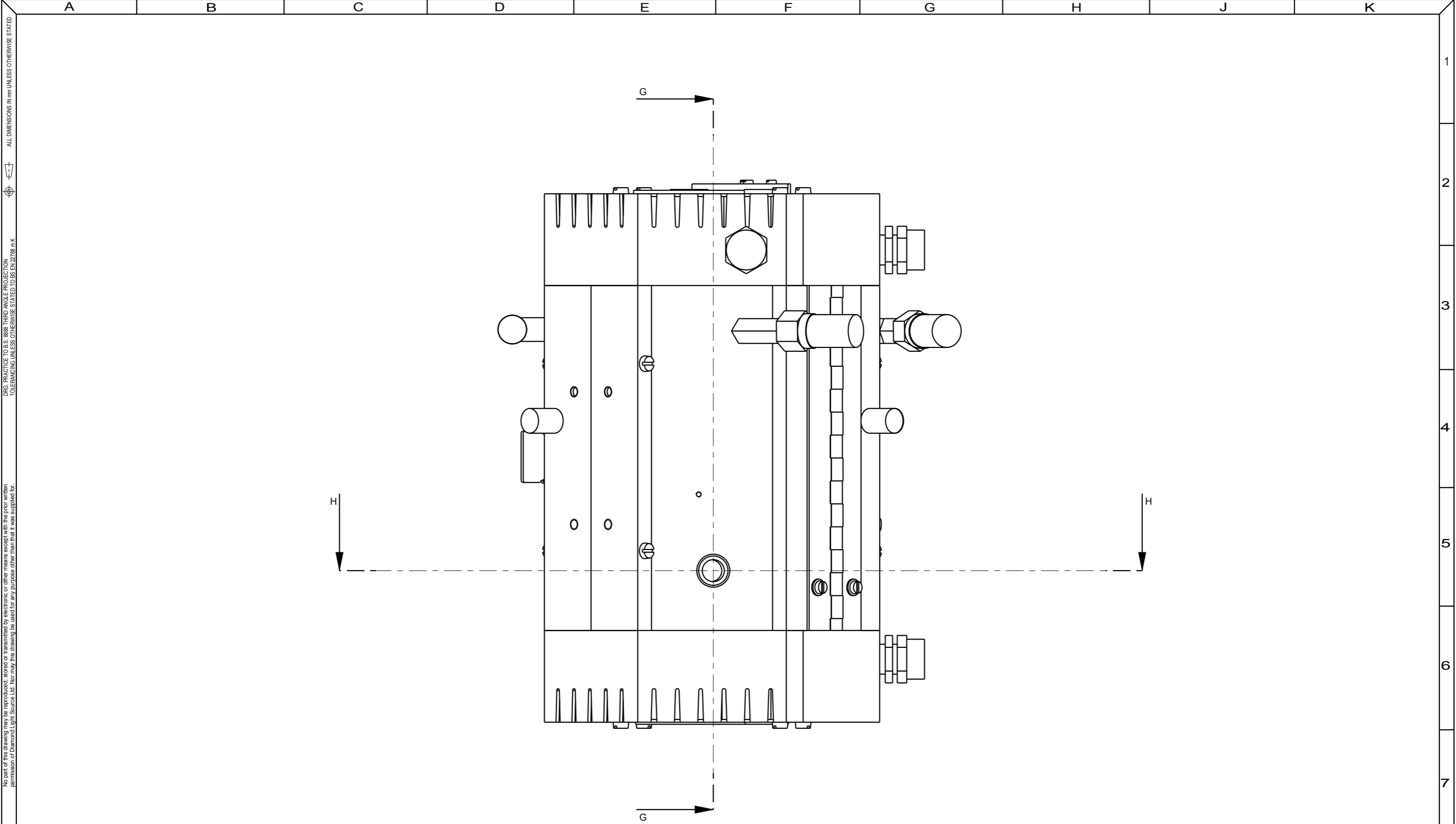
© 2022 DIAMOND LIGHT SOURCE LTD



SCALE 1:2

 DIAMOND LIGHT SOURCE LTD. DIAMOND HOUSE HARWELL SCIENCE AND INNOVATION CAMPUS, DIDCOT, OXFORDSHIRE, OX11 0DE	THIS REVISION		TITLE		
	DRN DATE	AWM 15/08/22	BEAMLINE I12 ODISC FURNACE ASSEMBLY EXPERIMENTAL HUTCH		
	CHK DATE	SG 18/08/22			
	APPD DATE	MHB 18/08/22	ORIGINATOR/DATE	DRG STATUS	Approved
PDMLink	DRG No.	1182286	SHEET 1 OF 3	REV. A	

1
2
3
4
5
6
7
8




No part of this drawing may be reproduced, stored in a retrieval system or transmitted by electronic or other means without the prior written permission of Diamond Light Source Ltd. No part of this drawing may be used for any purpose other than that for which it was supplied for.

DRG REFERENCE TO B.S. 8888 THIRD ANGLE PROJECTION
 TOLERANCES UNLESS OTHERWISE STATED TO BS EN22188 IN K

ALL DIMENSIONS IN mm UNLESS OTHERWISE STATED

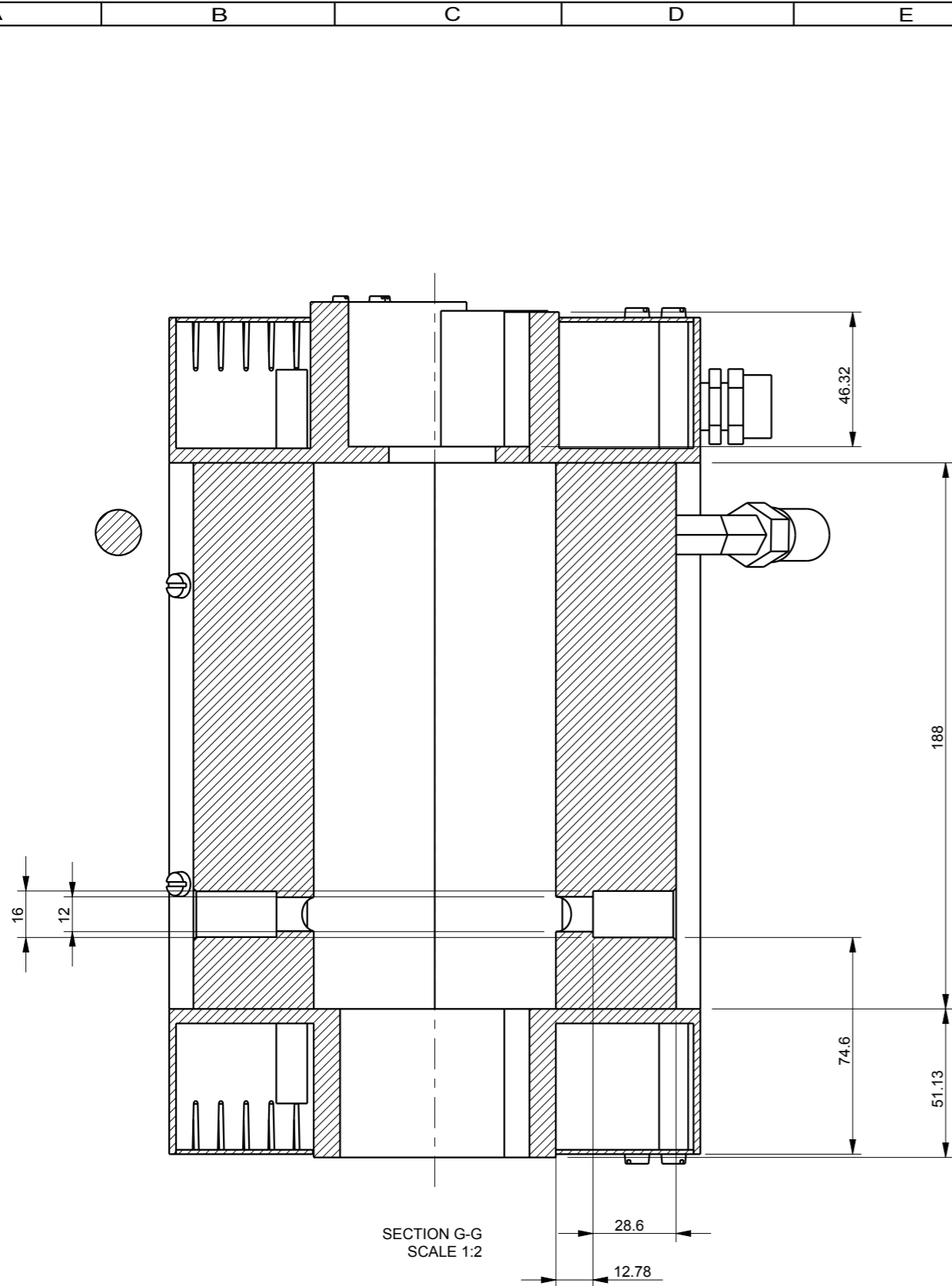
SCALE 1:2

 DIAMOND LIGHT SOURCE LTD. DIAMOND HOUSE HARWELL SCIENCE AND INNOVATION CAMPUS, DIDCOT, OXFORDSHIRE, OX11 0DE	THIS REVISION		TITLE		
	DRN DATE	AWM 15/08/22	BEAMLINE I12 ODISC FURNACE ASSEMBLY EXPERIMENTAL HUTCH		
	CHK DATE	SG 18/08/22			
	APPD DATE	MHB 18/08/22	ORIGINATOR/DATE	DRG STATUS	Approved
PDMLink	DRG No.	1182286	SHEET 2 OF 3	REV. A	

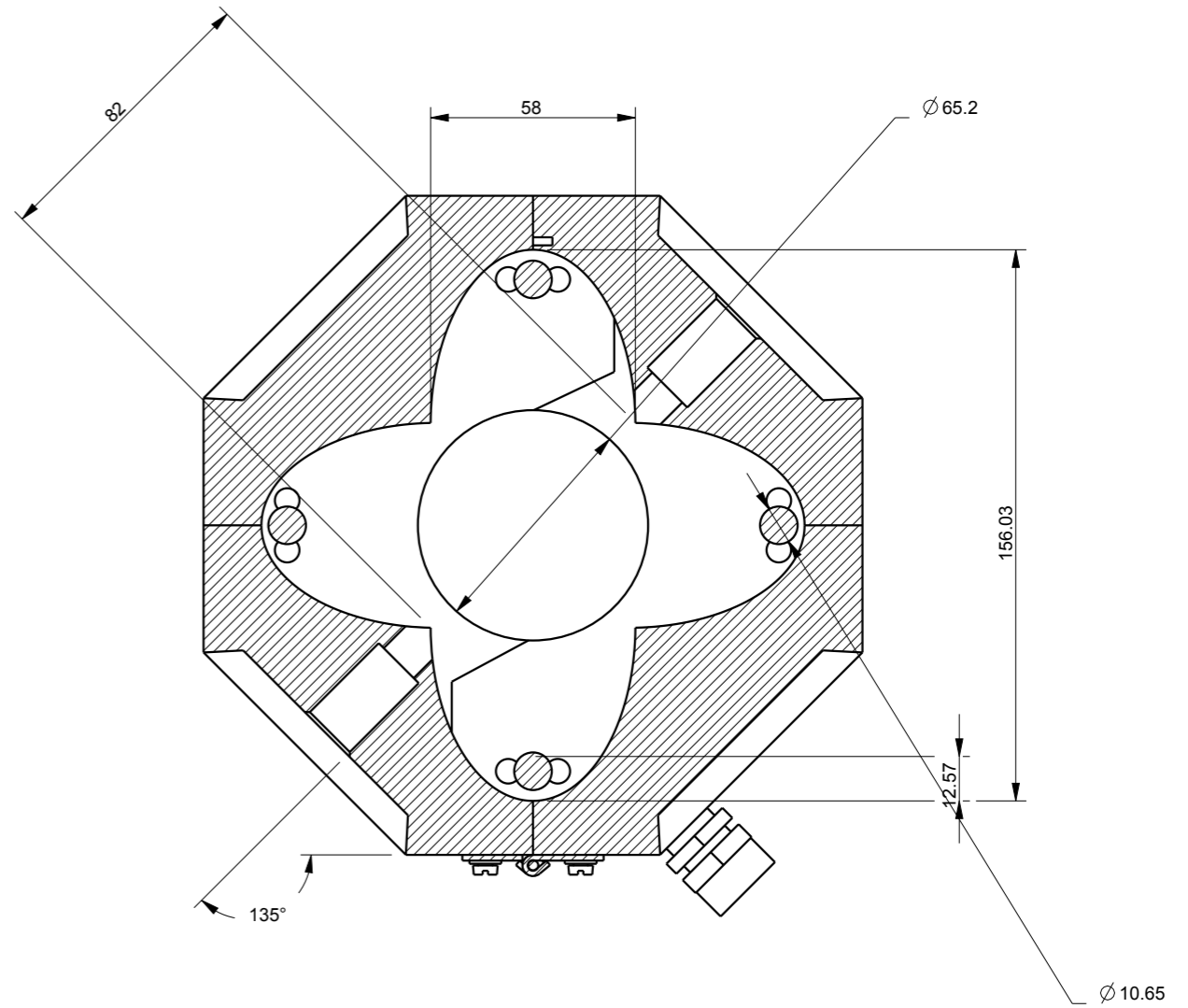
No part of this drawing may be reproduced, stored in a retrieval system, or transmitted by electronic or other means without the prior written permission of Diamond Light Source Ltd. No part of this drawing may be used for any purpose other than that for which it was supplied for.

DRG REFERENCE TO B.S. 8888 THIRD ANGLE PROJECTION
 TOLERANCES UNLESS OTHERWISE STATED TO BS EN 21708 m/k

ALL DIMENSIONS IN mm UNLESS OTHERWISE STATED



SECTION G-G
SCALE 1:2



SECTION H-H
SCALE 1:2



DIAMOND LIGHT SOURCE LTD.
 DIAMOND HOUSE
 HARWELL SCIENCE AND
 INNOVATION CAMPUS,
 DIDCOT, OXFORDSHIRE,
 OX11 0DE

THIS REVISION	
DRN DATE	AWM 15/08/22
CHK DATE	SG 18/08/22
APPD DATE	MHB 18/08/22
PDMLink	

TITLE	
BEAMLINE I12 ODISC FURNACE ASSEMBLY EXPERIMENTAL HUTCH	
ORIGINATOR/DATE	AWM 15/08/22
DRG STATUS	Approved
DRG No.	1182286
SHEET	3 OF 3
REV.	A

1
2
3
4
5
6
7
8