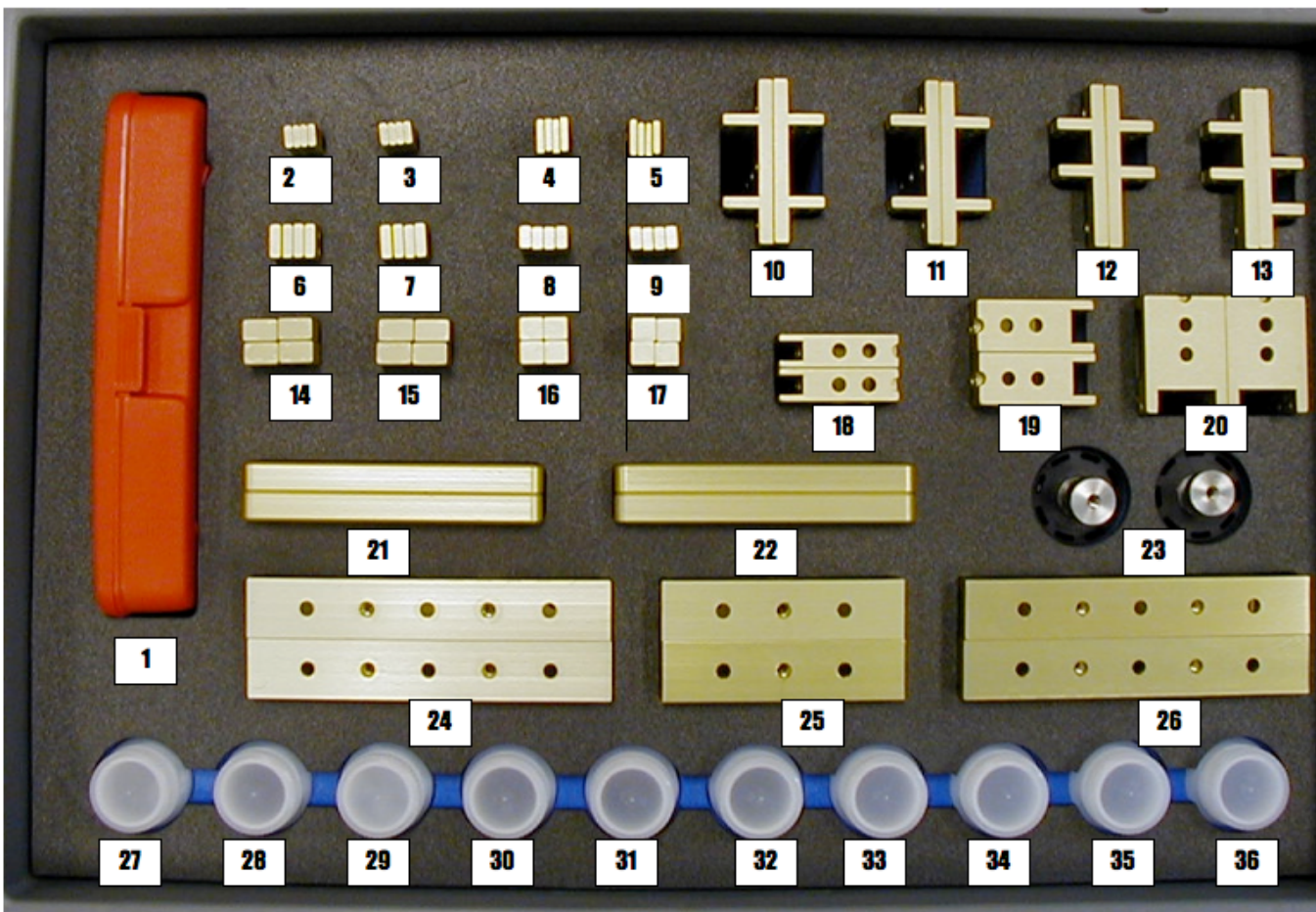


VAMAS Base-plate and Sample-mounting System



BOX CONTENTS

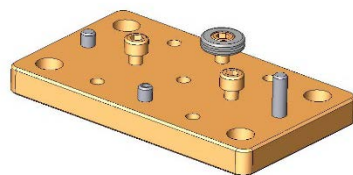
ITEM No	DESCRIPTION	No OFF
1	Toolkit	1
2	Screw Plate E (99 x 9.5 x 3)	4
3	Spacer E (99 x 9.5 x 3)	4
4	Screw Plate F (59 x 14.5 x 3)	4
5	Spacer F (59 x 14.5 x 3)	4
6	Screw Plate F (59 x 14.5 x 5)	2
7	Spacer F (59 x 14.5 x 5)	2
8	Screw Plate E (99 x 9.5 x 5)	2
9	Spacer E (99 x 9.5 x 5)	2
10	Plate holder F (120 x 70 x 21) {30}	4
11	Plate holder F (70 x 70 x 21) {30}	4
12	Plate holder F (70 x 70 x 21) {15}	4
13	Plate holder F (120 x 70 x 21) {15}	4
14	Screw Plate F (59 x 14.5 x 10)	4
14	Spacer F (59 x 14.5 x 10)	4
16	Screw Plate E (99 x 9.5 x 10)	4
17	Spacer E (99 x 9.5 x 10)	4
18	Plate holder E (100 x 50 x 14) {8}	2
19	Plate holder E (100 x 50 x 22) {14}	2
20	Plate holder E (100 x 50 x 36) {26}	2
21	Base-plate Universal (5 x 5 matrix)	2
22	Base-plate Universal (5 x 3 matrix)	2
23	Chuck (Ø1 - Ø10)	2
24	Space frame (150 x 50 x 25)	2
25	Space frame (100 x 50 x 25)	2
26	Space frame (150 x 100 x 25)	2
27	M6 cap-head screws	50
28	M6 washers	100
29	M6 nuts	100
30	Dowels Ø6 x 12 mm long	20
31	Dowels Ø6 x 25 mm long	20
32	Dowels Ø6 x 12 mm long (M4 tap)	20
33	M4 x 8 mm long Set Screw	50
34	M4 x 16mm long Set Screw	50
35	Grommets (M6 Screwdriver)	10
36	M6 Chuck Screw Adaptor	2

Supplied by:
 Commercial & Enterprise Unit
 School of Computing, Science & Engineering
 Newton Building
 University of Salford
 Salford M5 4WT Tel: +44(0)161 295 4573
 e-mail: p.busbv@salford.ac.uk
 e-mail: p.j.webster@salford.ac.uk

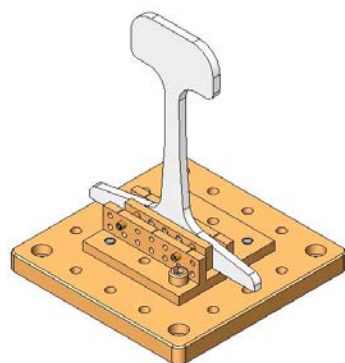


Examples of use of VAMAS Base-plate and Sample Mounting System

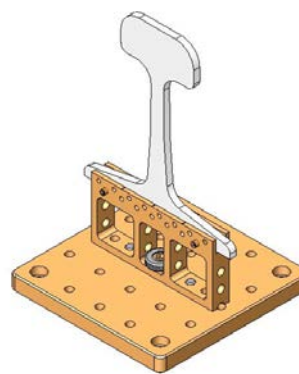
[Technical details can be found on the FaME38 website: www.ill.fr/FaME38/samplepositioning.html]



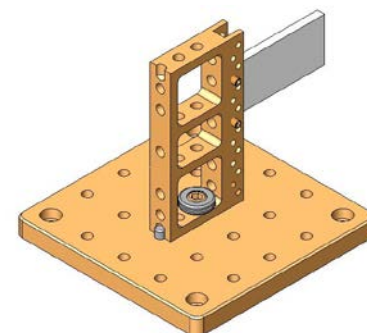
Base [22] with M6 screws [27/35] and dowels [30/31/32]



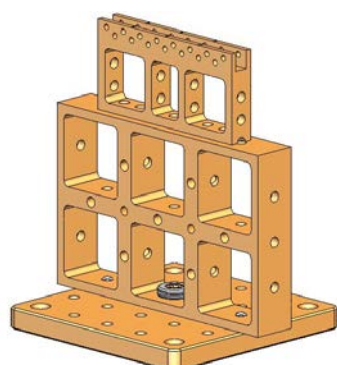
Base [21] and sample held by set-screws [33] screw-plate [4] and spacer [5] in F-holder [12]



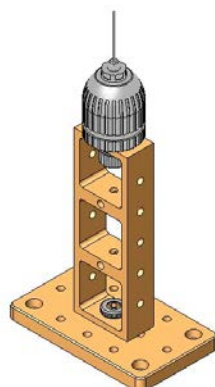
Base [21] with sample in horizontal E-holder [18]



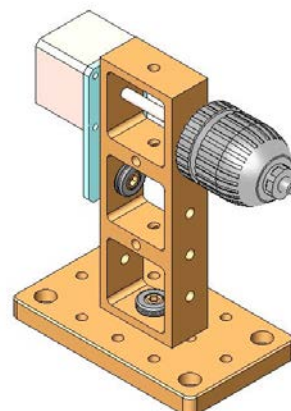
Base [21] with sample in vertical E-holder [18]



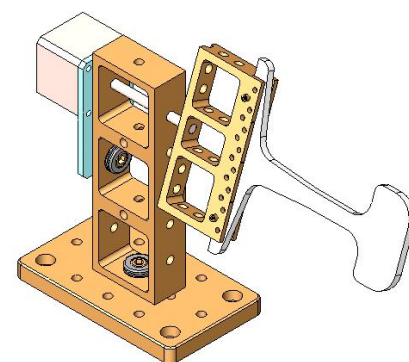
Base [21] with space-frame [26] and E-holder [18]



Base [22] with space-frame [24] chuck [23] and sample pin



Base [22] with space-frame [24] and chuck [23] with motor drive



Base [22] with space-frame [24] motor drive and sample in E-holder [18]