

Experimental Hutch 2 Sample Stage

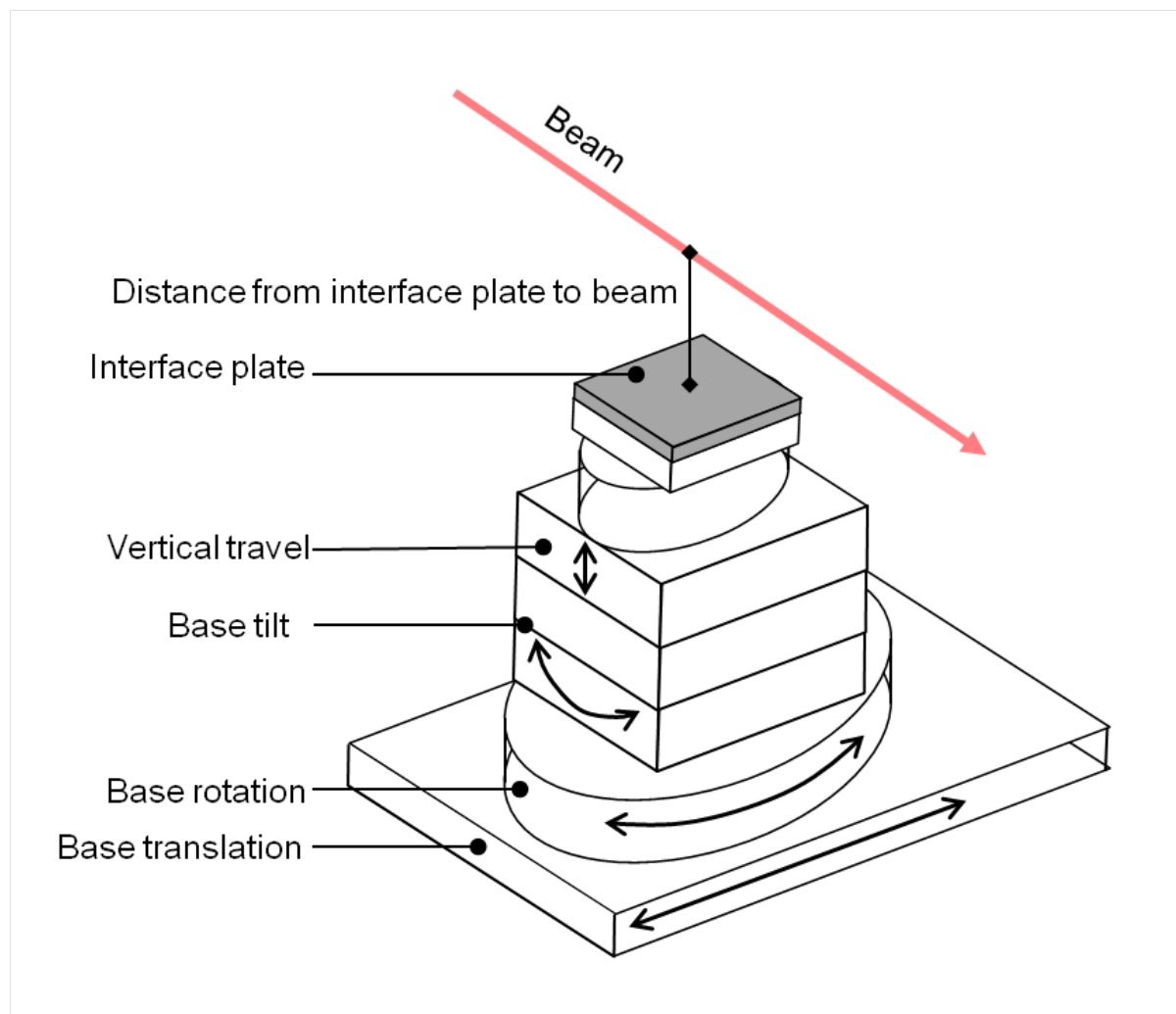
1.1. Sample Table

Depending on the sample weight and height, six different sample table configurations are available. For details, please refer to Table 1.1.

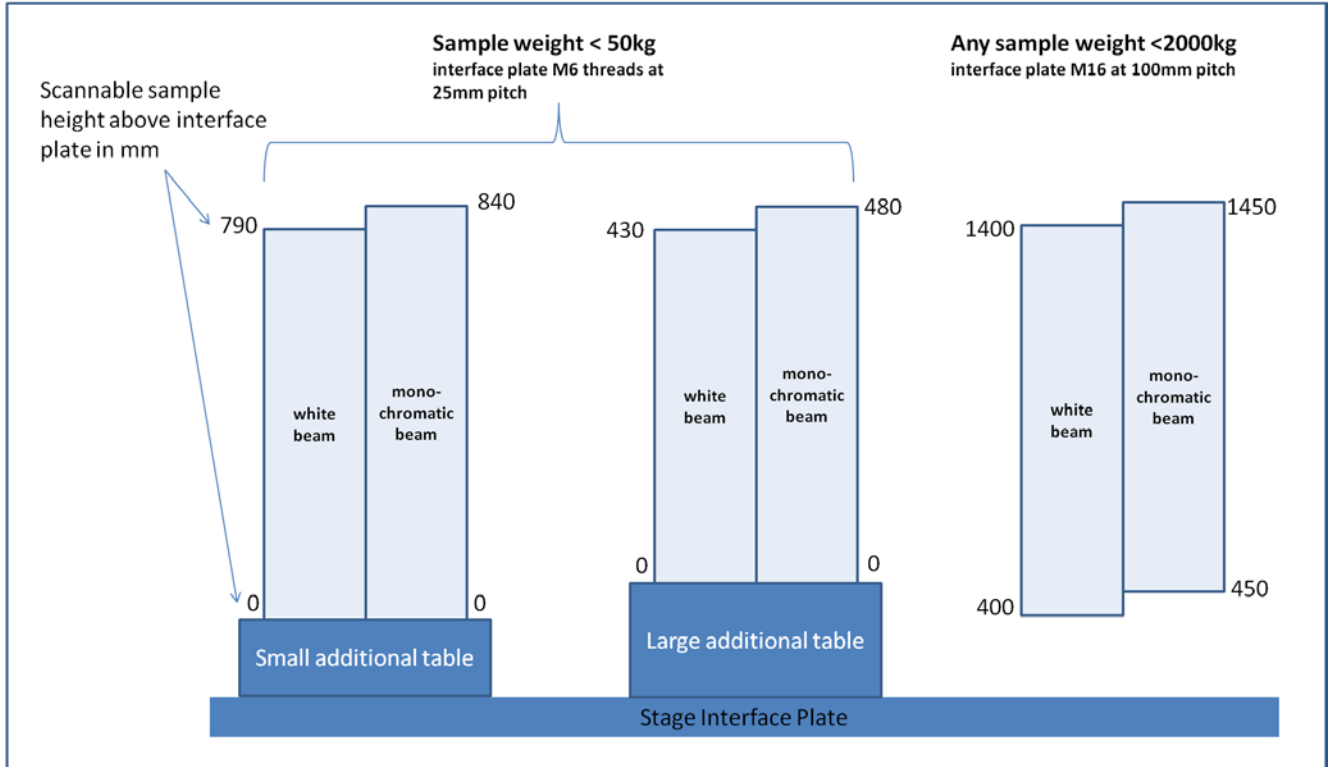
Table 1: Sample Table Configurations

Overall sample category	Sample geometry			Motions			Interface plate
	Maximum weight capacity [kg]	Vertical travel [mm]	Scannable sample height [mm]: 1) white beam 2) monochromatic beam	<u>Base translation</u> along horizontal axis perpendicular to beam [mm]	<u>Base rotation</u> around vertical axis	<u>Base tilt</u> around axis perpendicular to incoming beam	
Light, small size	50	+/-500	1) 0 - 790 2) 0 - 840	Tomo: NA Else: +/-500	360°	Tomo: NA Else: +/-2	Square, 600x600mm, M6 threads at 25mm pitch
Light, medium size	50	+/-500	1) 0 -430 2) 0 - 480	Tomo: NA Else: +/-500	360°	Tomo: NA Else: +/-2	Square, 600x600mm M6 threads at 25mm pitch
Heavy, large size	2000	+/-500	1) 400 -1400 2) 450 - 1450	Tomo: NA Else: +/-500	360°	+/-2°	Round, diam. 1000mm, M16 threats at 100mm pitch, centred

Figure 1: Sample table schematic



1.2. Scannable sample height above the interface plate



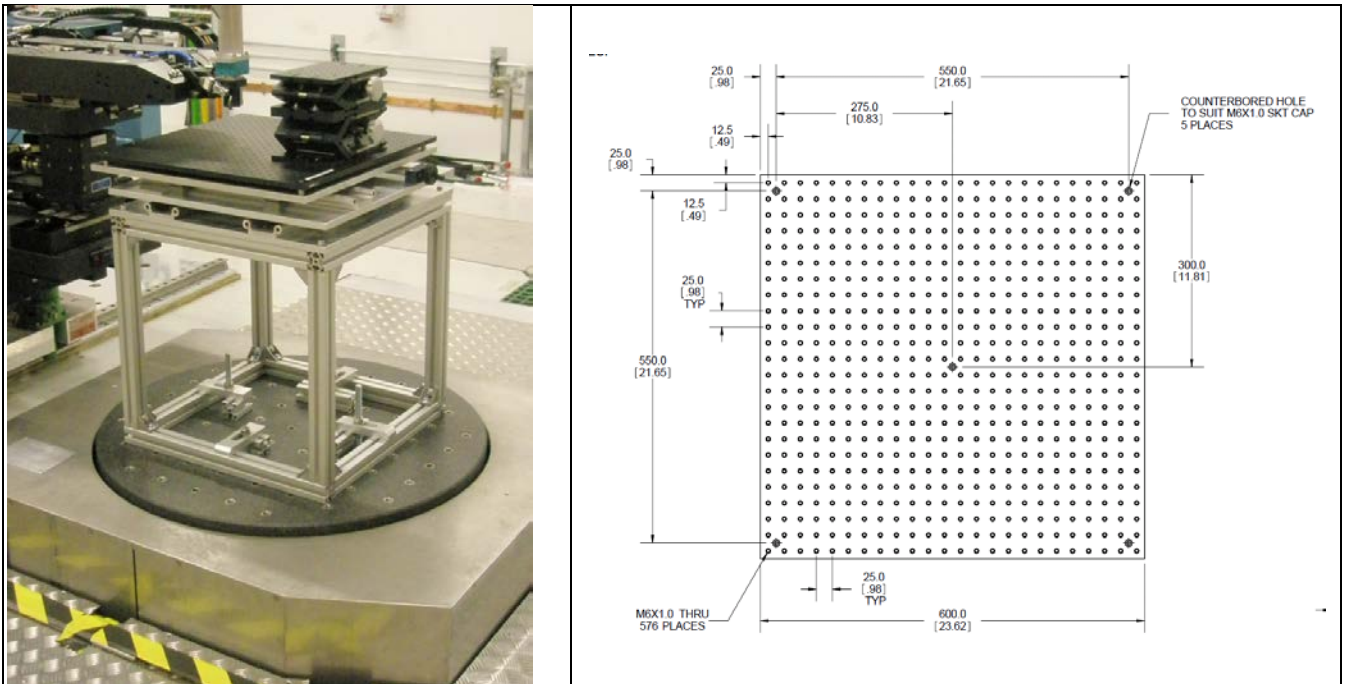
1.3. Interface Plates

Depending on the table configuration, the following interface plates are available for the sample stage:

- Option 1: square, 600mm x 600mm, M6 threads at 25mm pitch, centred
- Option 2: round, diameter 1000mm, M16 threads at 100mm pitch, centred

Option 1:

Figure 2: Sample table interface plate option 1: a) picture of square interface plate on table dimensions



Option 2:

Figure 3: Sample table interface plate option 2: a) picture of round interface plate, b) drawing incl. dimensions

