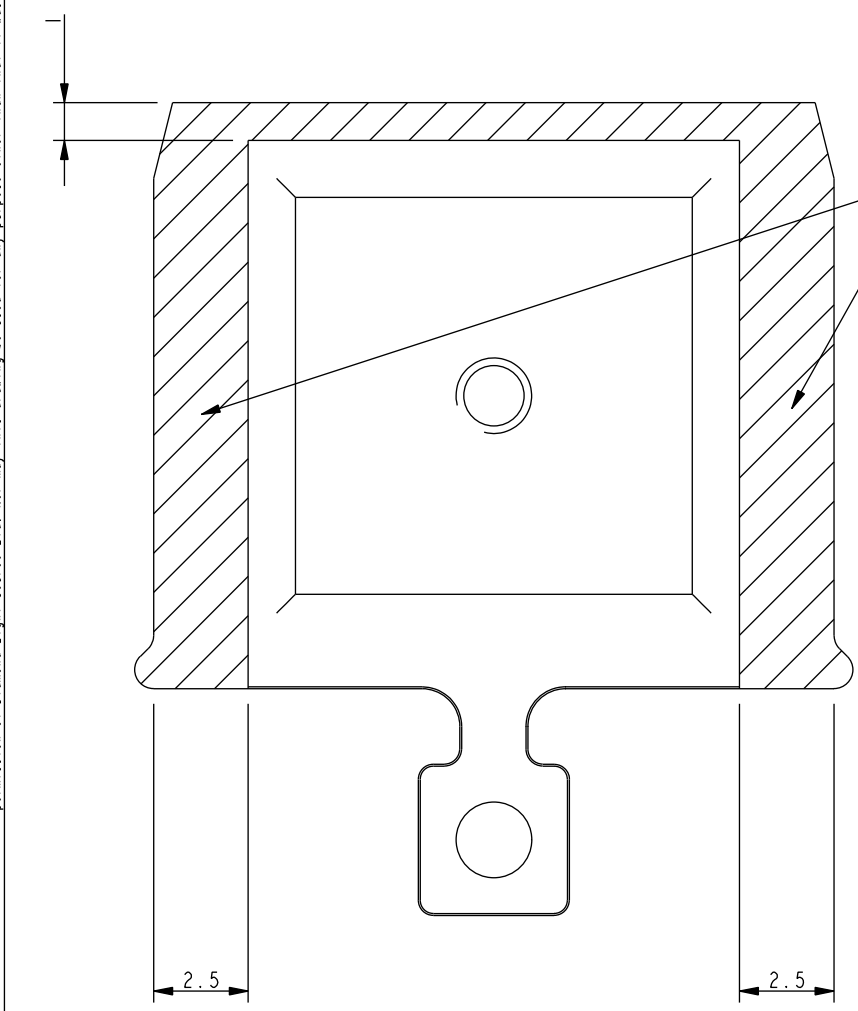
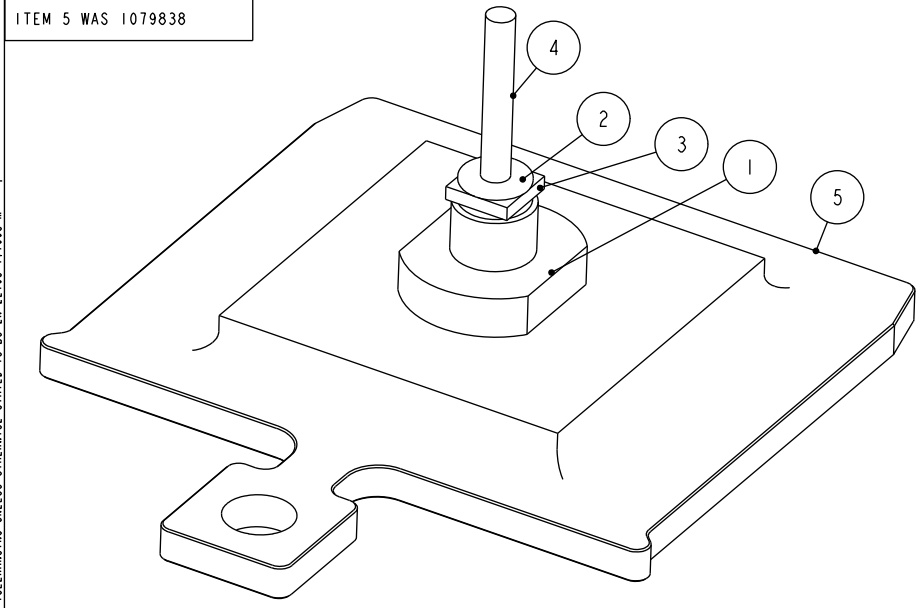


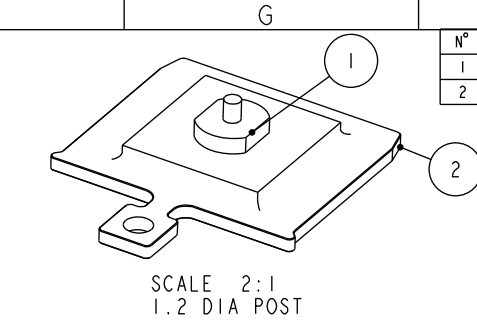
© 2015 DIAMOND LIGHT SOURCE LTD. No part of this drawing may be reproduced, stored or transmitted by electronic or other means except with the prior written permission of Diamond Light Source Ltd. Nor may this drawing be used for any purpose other than that it was supplied for. DRG. PRACTICE TO B.S. 8888 THIRD ANGLE PROJECTION TOLERANCING UNLESS OTHERWISE STATED TO BS EN 22188-1:1993 m. ALL DIMENSIONS IN mm UNLESS OTHERWISE STATED.

N°	DRG N°	DESCRIPTION	QTY	REMARKS
1	1074521	ROTATION POST 2.3 DIA	1	
2	1087111_ADHESIVE	0.2 x 2 DIA ADHESIVE	2	
3	1087111_SAMPLE	1.9 x 1.9 x 0.4 SAMPLE	1	
4	1087111_TOP_POST	TOP POST	1	
5	1096360	SAMPLE HOLDER PLATE	1	

**B**  
ITEM 5 WAS 1079838

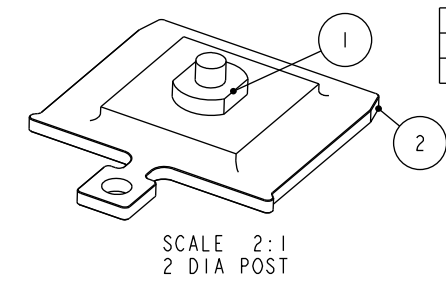


AREA REQUIRED FOR CLAMPING NOT AVAILABLE TO USERS



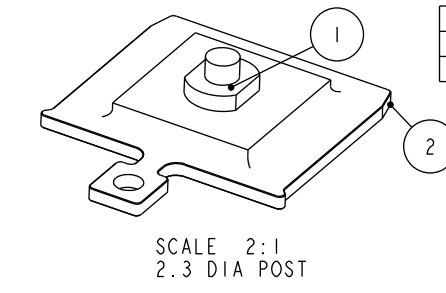
SCALE 2:1  
1.2 DIA POST

N°	DRG N°	DESCRIPTION	QTY	REMARKS
1	1074522	ROTATION POST 1.2 DIA	1	
2	1096360	SAMPLE HOLDER PLATE	1	



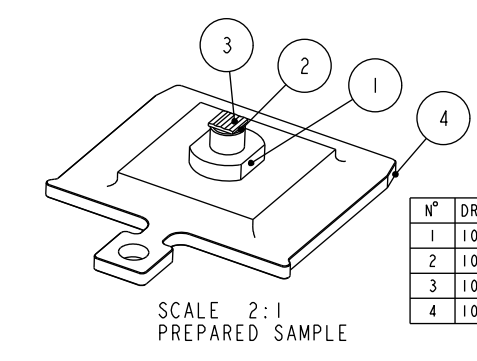
SCALE 2:1  
2 DIA POST

N°	DRG N°	DESCRIPTION	QTY	REMARKS
1	1074519	ROTATION POST 2 DIA	1	
2	1096360	SAMPLE HOLDER PLATE	1	



SCALE 2:1  
2.3 DIA POST

N°	DRG N°	DESCRIPTION	QTY	REMARKS
1	1074521	ROTATION POST 2.3 DIA	1	
2	1096360	SAMPLE HOLDER PLATE	1	



SCALE 2:1  
PREPARED SAMPLE

N°	DRG N°	DESCRIPTION	QTY	REMARKS
1	1074521	ROTATION POST 2.3 DIA	1	
2	1087111_ADHESIVE	0.2 x 2 DIA ADHESIVE	1	
3	1087111_PREPARED_SAMPLE	PREPARED SAMPLE	1	
4	1096360	SAMPLE HOLDER PLATE	1	

 DIAMOND LIGHT SOURCE LTD. DIAMOND HOUSE HARWELL SCIENCE AND INNOVATION CAMPUS, DIDCOT, OXFORDSHIRE, OX11 0DE	THIS REVISION		TITLE		
	DRN DATE	DMH 16/09/15	<b>105 ARPES MASTER DRAWING SAMPLE HOLDER ASSEMBLY</b>		
	CHK DATE	JLG 18/09/15			
	APPD DATE	SMS 18/09/15	ORIGINATOR/DATE	DRG STATUS	Approved
PDMLink	DRG No.	DMH 16/09/03	1 OF 1	REV. <b>B</b>	